

The Power of Platinum

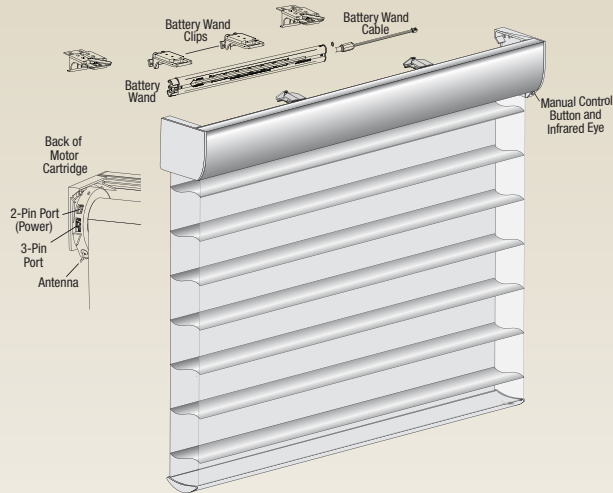
Softshades Powered by Platinum Technology

Controlling light and privacy has never been more convenient than with **LUXAFLEX® SILHOUETTE®** Shadings with PowerRise Platinum Technology. Raising and the lowering the shade, and tilting the vanes are all possible with the press of one button.

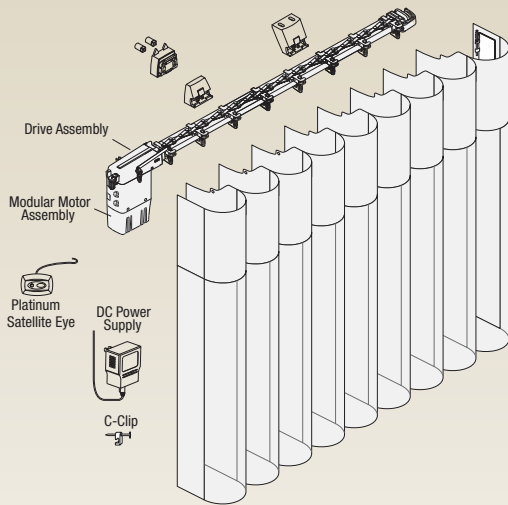


The satellite eye is built into the Headrail providing a sleek and clean finish to the window covering.

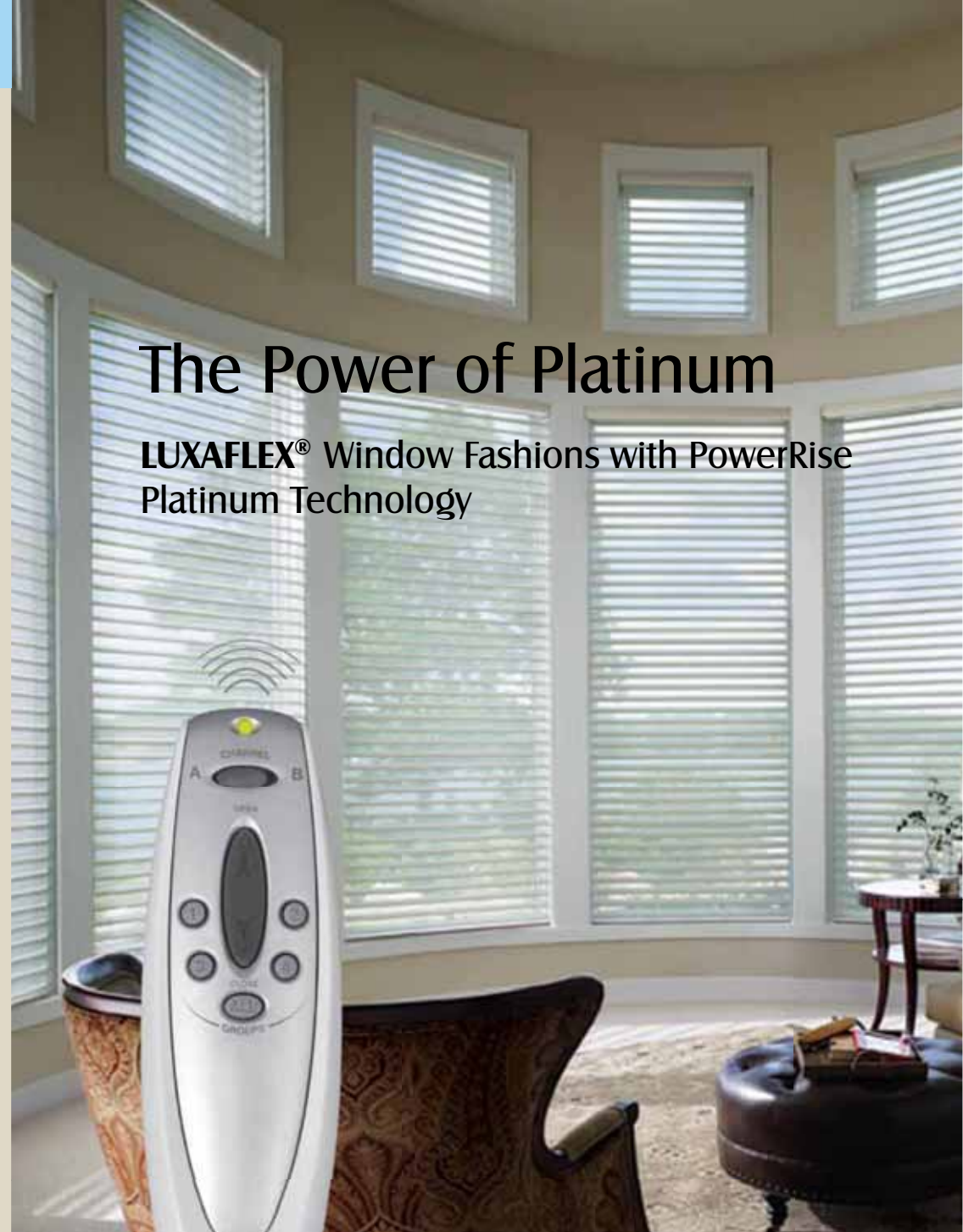
When battery operation is selected the battery pack is attached to the back of the Headrail. Alternatively where standard household power supply outlet is available the DC power adaptor is an ideal alternative.



LUXAFLEX® LUMINETTE® Privacy Sheers offer a sophisticated vertical window covering solution. The soft fabric vanes can be traversed to open and closed, or tilted to control light and privacy, and with PowerRise Platinum Technology this is achieved with a touch of a button.



© Copyright 2011 Hunter Douglas Limited [ABN 98 009 675 709]. ® Registered Trade Marks of Hunter Douglas Limited. 2011-25sl.indd 06/2011



The Power of Platinum

LUXAFLEX® Window Fashions with PowerRise Platinum Technology

LUXAFLEX® Window Fashions Powered by PowerRise Platinum Technology

The Next Generation in LUXAFLEX® Window Fashions with PowerRise Operating System

The convenience and accessibility of the battery operated LUXAFLEX® PowerRise Operating System has been elevated with the enhanced next generation - PowerRise Platinum Technology.

The PowerRise Platinum Technology experience is like no other.

- ☪ With no complicated wiring necessary the PowerRise Platinum Technology system is easy to install, operate and maintain.
- ☪ PowerRise Platinum Technology combines two proven wireless technologies - infrared (line of sight) and radio frequency (point anywhere).
- ☪ The PowerRise Platinum Technology motors feature quiet operation.
- ☪ With cordless operation, PowerRise Platinum Technology offers enhanced child and pet safety.
- ☪ When raised or lowered, window coverings can stop in a customised, preset position.
- ☪ Window Coverings featuring PowerRise Platinum Technology incorporate colour coordinated hardware, making these technologically advanced window coverings aesthetically pleasing.
- ☪ The perfect solution for hard-to-reach windows.
- ☪ The battery pack powers the window covering for over a year, depending on usage. When the AA batteries do need replacing, it is quick and easy and in most cases the window covering does not need to be removed.



Softshades Powered by Platinum Technology

Available across the suite of LUXAFLEX® Softshades Window Coverings – DUETTE® Shades, SILHOUETTE® Shadings and LUMINETTE® Privacy Sheers – PowerRise Platinum Technology features convenient control, superior features, quieter operation and a cordless child safe window covering solution.



LUXAFLEX® DUETTE® Shades with PowerRise Platinum Technology offer unparalleled selection, style and comfort.

When battery operation is selected the battery pack is attached to the back of the Headrail in either a high mount or low mount position. Alternatively where a standard household power supply outlet is available the DC power adaptor is an ideal alternative.

The satellite eye is built into the colour co-ordinated Headrail providing a sleek and clean finish to the window covering.

Experience Total Control

Platinum Remote

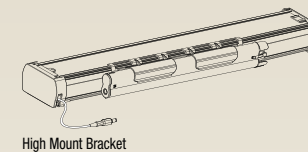
The simplicity of PowerRise Platinum Technology is wireless technology which allows for window coverings to be operated with the single touch of a button.

All PowerRise Platinum Technology window coverings can be controlled by a Platinum remote. The Platinum remote offers convenience with hand-held control, and the ability to operate multiple shades at the same time. Save time and energy when controlling the natural light in your home.

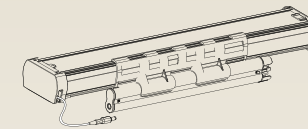


Power Supply Options

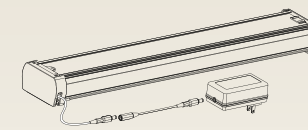
Depending on individual requirements, PowerRise Platinum Technology window coverings can be powered by the Battery wand with standard AA alkaline batteries or with DC Power Supply which simply plugs into a standard power supply outlet. DUETTE® Shades and SILHOUETTE® Shadings are available with either battery operation or DC power supply option. While LUMINETTE® Privacy Sheers are only available with DC power supply.



High Mount Bracket



Low Mount Bracket



DC Power Supply

